

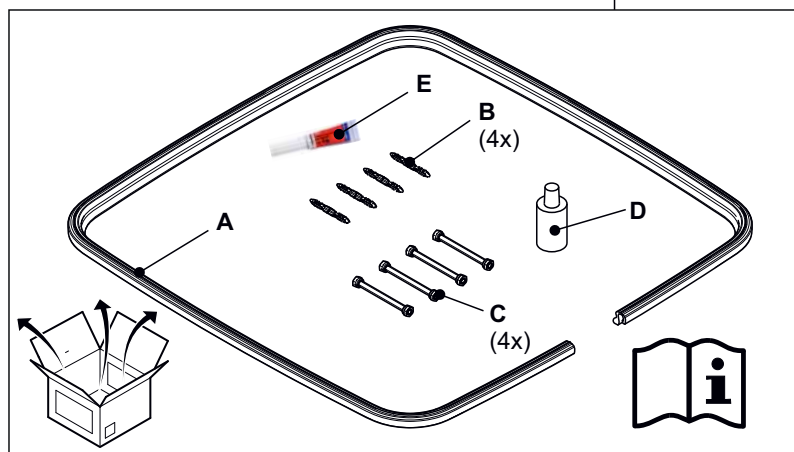
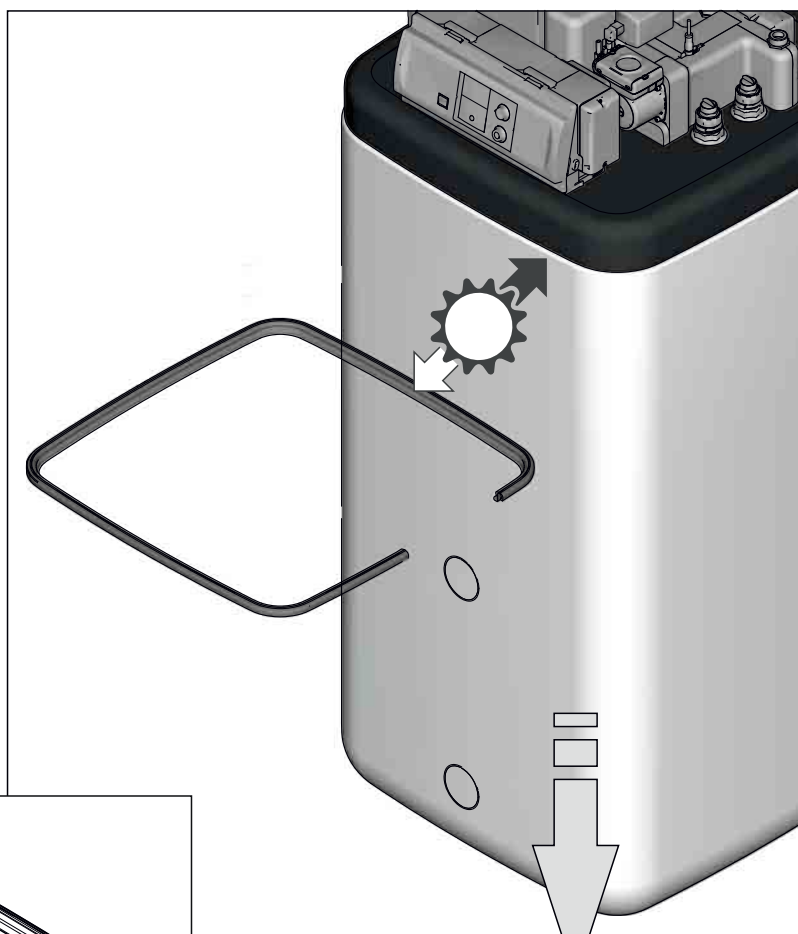


a member of **DAIKIN** group

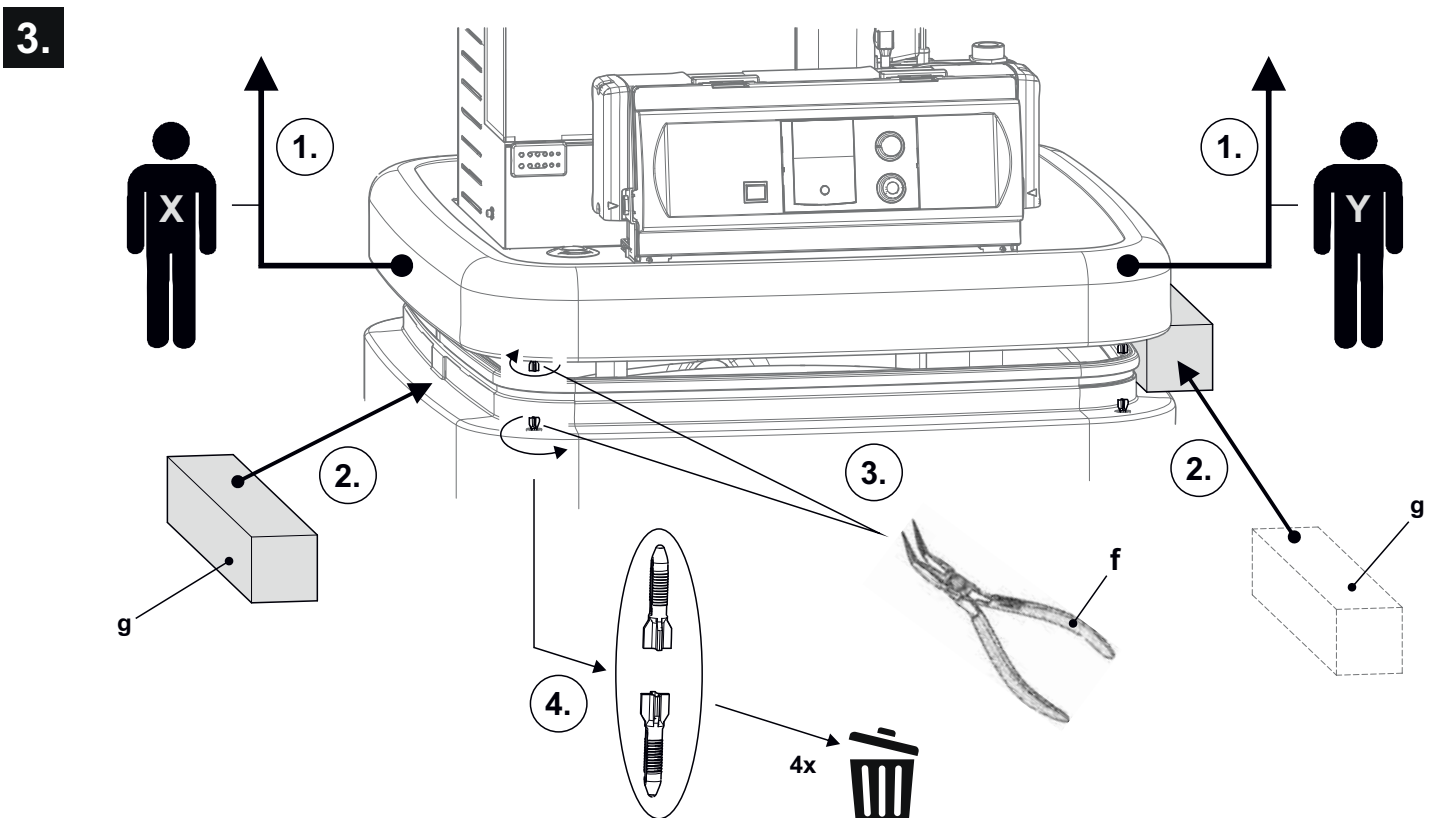
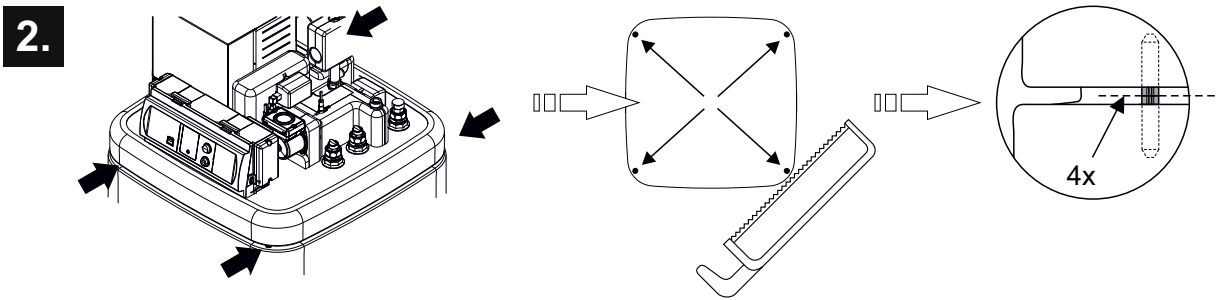
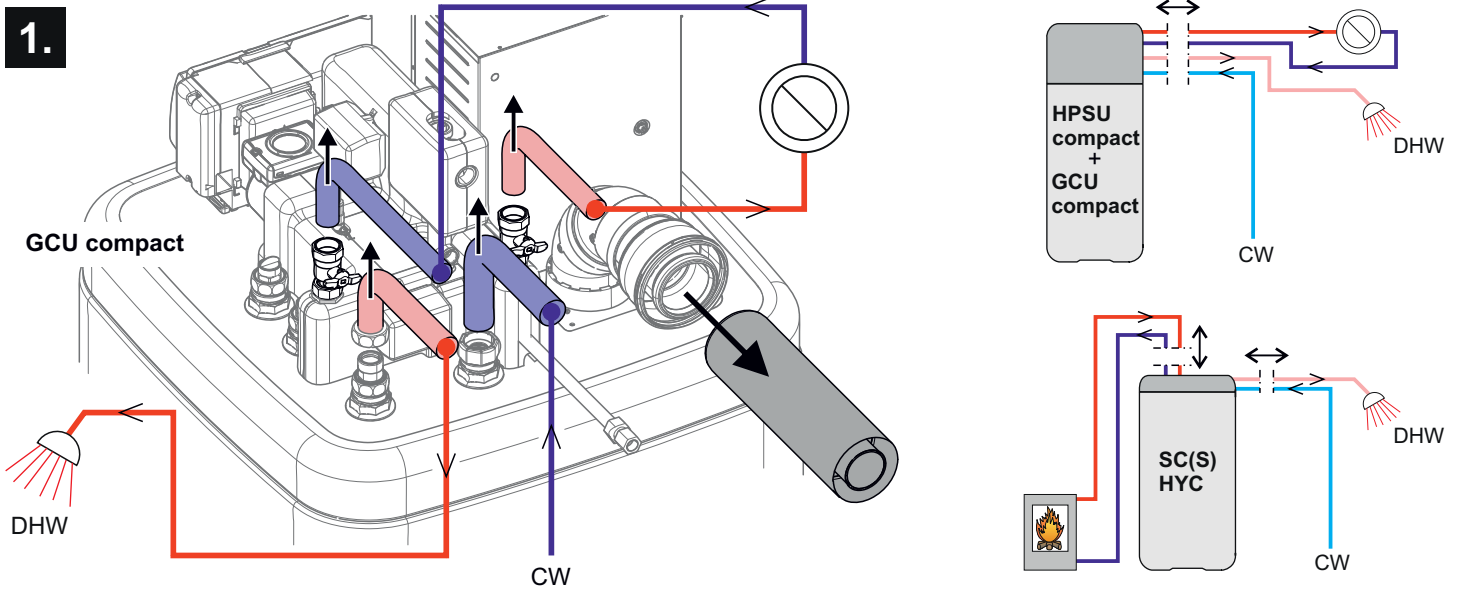
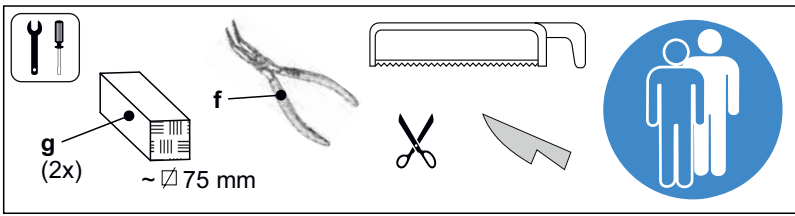
ROTEX

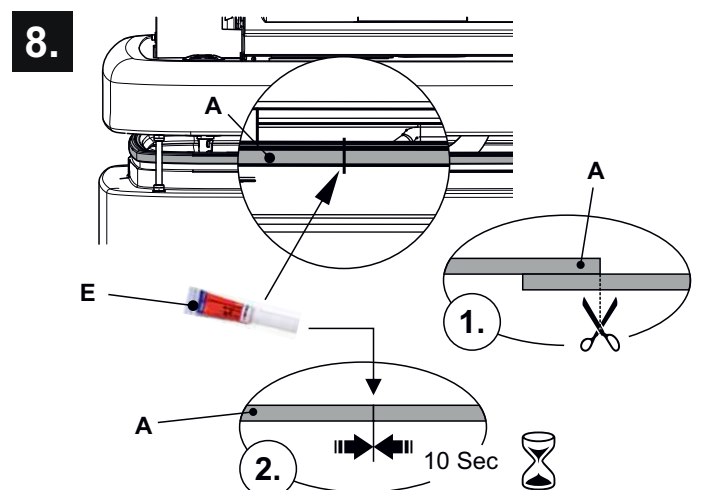
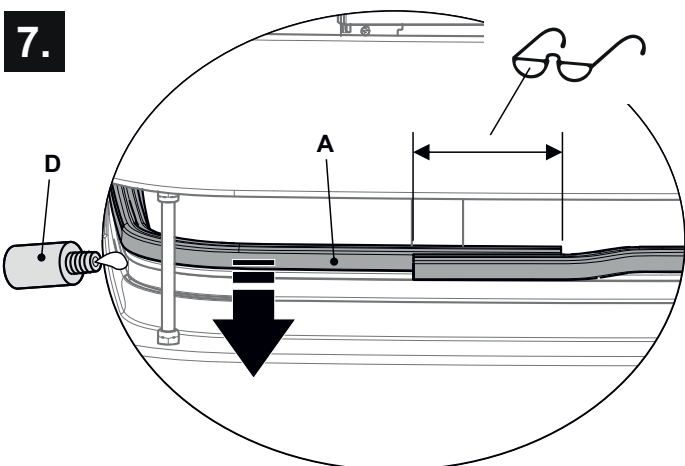
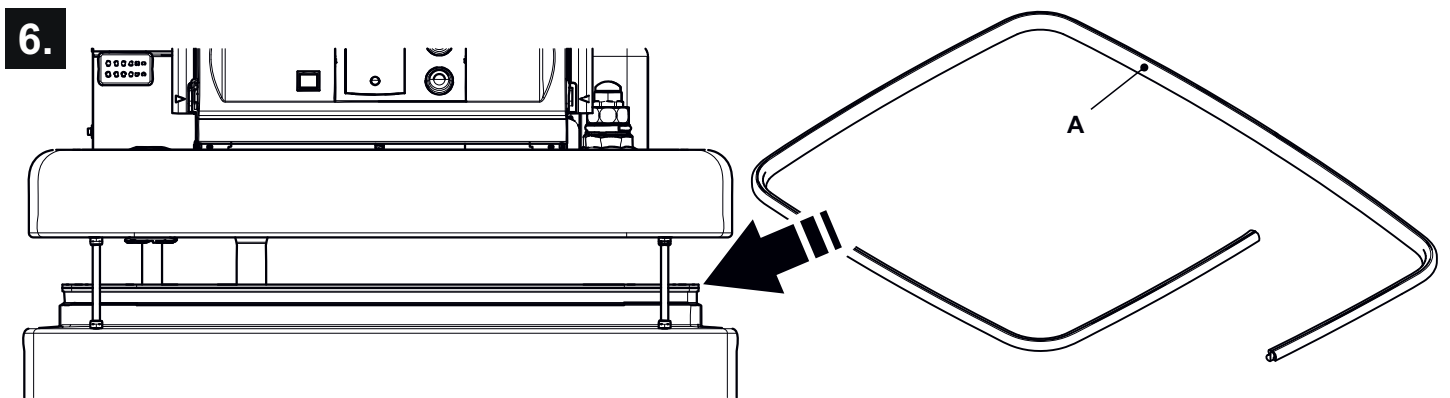
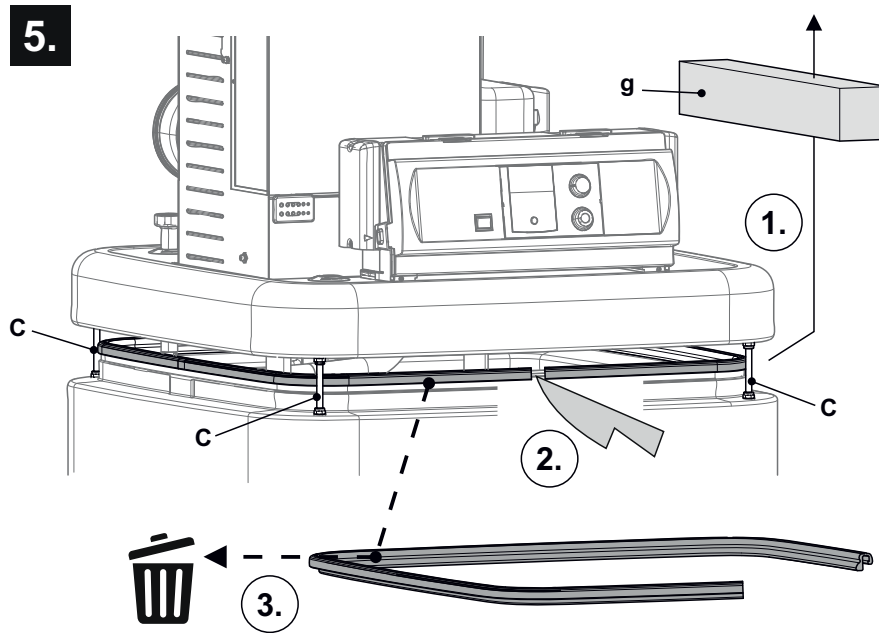
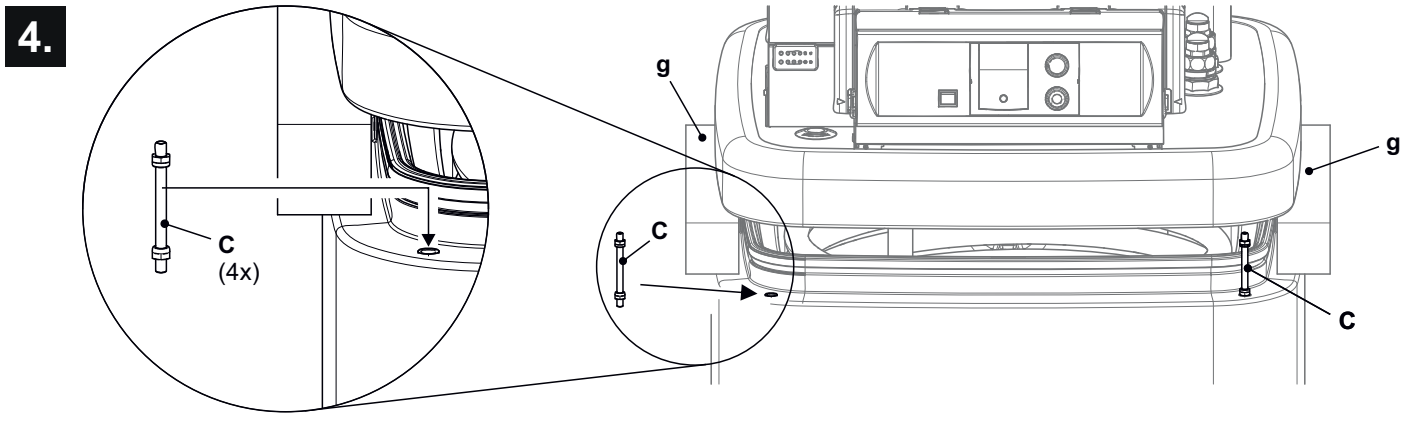
ATS - SD

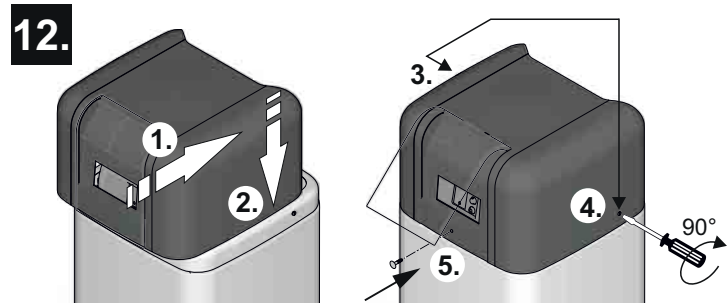
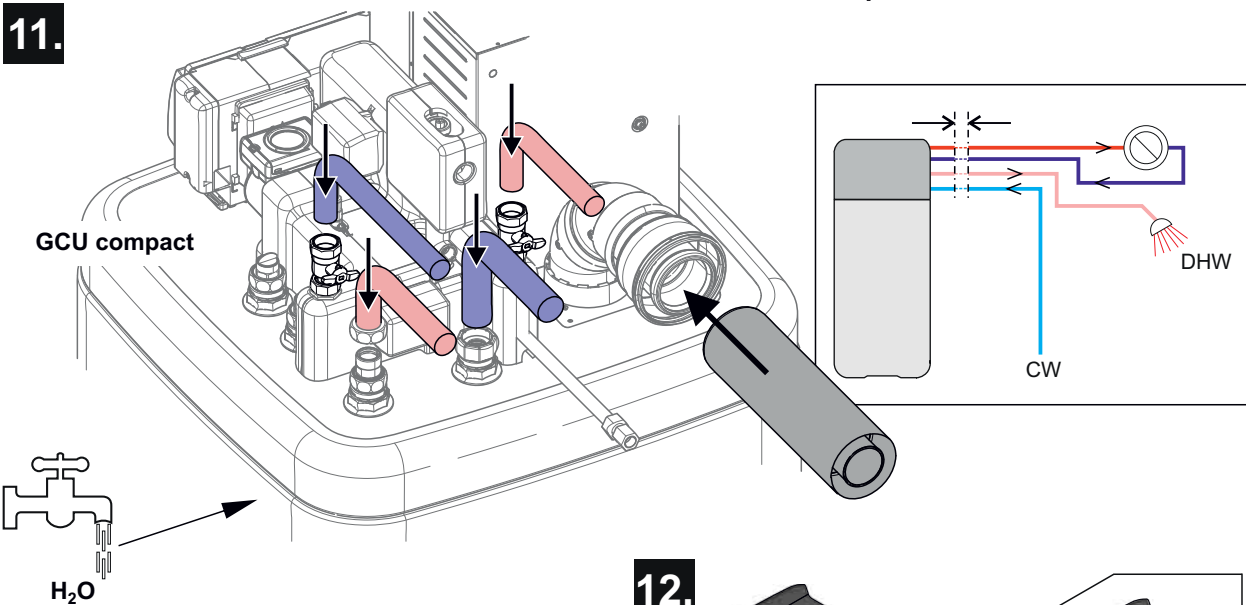
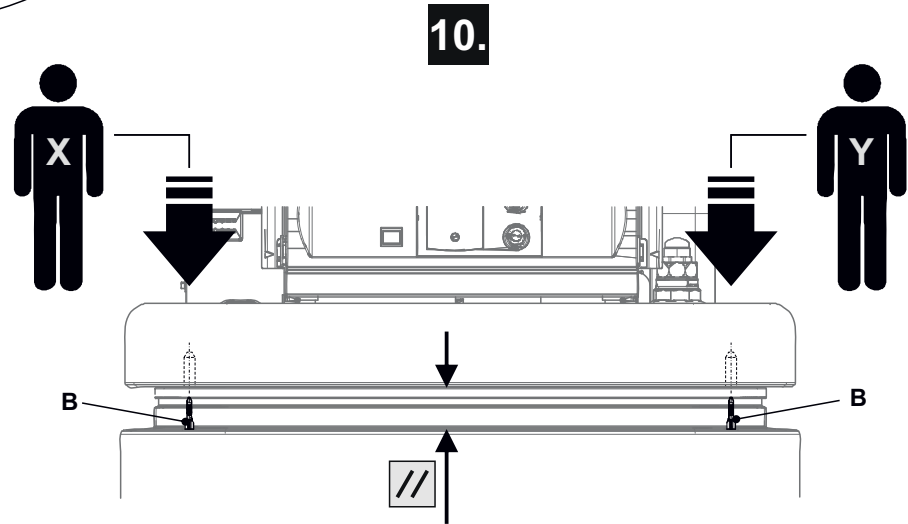
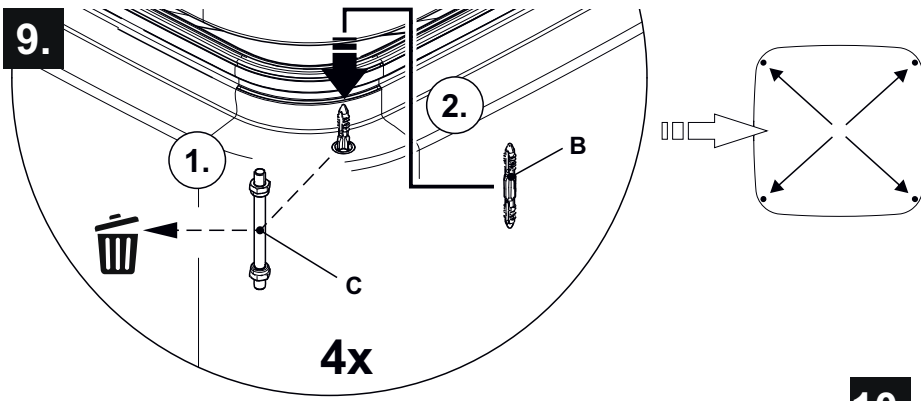
 **E1600297**



300 L + 500 L
-HPSU compact
-GCU compact
-Sanicube / Hybridcube







i SC(S) + HYC
HPSU compact
GCU compact